



RESIDENTIAL AUTOMATIC SPRINKLERS MODELS GL4110 & GL4910 PENDENT RECESSED PENDENT

DESCRIPTION AND OPERATION

The Globe Model GL4110 and GL4910 Residential Sprinklers have a low profile yet durable design which utilize a 3mm frangible glass ampule as the thermosensitive element. They feature economy, aesthetics and low flow.

The combination of the 3mm frangible glass ampule and specially designed deflector make the Model GL4110 and GL4910 Residential Sprinklers the ultimate in life safety and fire control. These Globe Pendent and Recessed Pendent Residential Sprinklers have met the strict requirements of Underwriters Laboratories Inc. as described in the UL Standard for Residential Sprinklers for Fire Protection Service, UL 1626, and should be used accordingly. These sprinklers should also be installed in accordance with the appropriate NFPA Standard 13, 13D or 13R and under the direction of the approving authorities having jurisdiction.

The heart of Globe's Model GL4110 and GL4910 sprinklers proven actuating assembly is a hermetically sealed frangible glass ampule that contains a precisely measured amount of fluid. When heat is absorbed, the liquid within the bulb expands increasing the internal pressure. At the prescribed temperature the internal pressure within the ampule exceeds the strength of the glass causing the glass to shatter. This results in water discharge which is distributed in an approved pattern.

The sprinkler and escutcheon are not factory assembled. Assembly is done in the field.

TECHNICAL DATA

- See reverse side for Approvals and Specifications.
- Temperature Rating - 155°F (68°C), 175°F (79°C)
- Water Working Pressure Rating - 175 psi (12 Bars)
- Factory tested hydrostatically to 500 psi (34 Bars)
- Maximum low temperature glass bulb rating is -67°F (-55°C)
- Frame - bronze • Deflector - brass • Screw - brass
- Bulb seat - copper • Spring - nickel alloy • Seal - teflon
- Bulb - glass with alcohol based solution, 3mm size
- Escutcheon Assembly - steel

•SPRINKLER TEMPERATURE RATING/CLASSIFICATION and COLOR CODING

CLASSIFICATION	AVAILABLE SPRINKLER TEMPERATURES		BULB COLOR	N.F.P.A. MAXIMUM CEILING TEMPERATURE	
ORDINARY	155°F	68°C	RED	100°F	38°C
INTERMEDIATE	175°F	79°C	YELLOW	150°F	66°C



**RESIDENTIAL
PENDENT**



**RESIDENTIAL
RECESSED PENDENT**

RESIDENTIAL AUTOMATIC SPRINKLERS MODEL GL4110 & GL4910 PENDENT • RECESSED PENDENT

SPECIFICATIONS AND APPROVALS

SIN MODEL	NOMINAL "K" FACTOR	THREAD SIZE	LENGTH	FINISHES	cULus EU	NYC - DOB MEA 101-92-E
GL4110	4.1 (58 metric)	1/2"NPT (15mm)	2 1/2" (6.4cm)	Factory Bronze Chrome	X	X
GL4910	4.9 (68 metric)			White Polyester ² Black Polyester ^{1,2}		

NOTE: METRIC CONVERSIONS ARE APPROXIMATE.

¹FINISHES AVAILABLE ON SPECIAL ORDER.

²AVAILABLE AS cULus LISTED CORROSION RESISTANT WHEN SPECIFIED ON ORDER.

INSTALLATION DATA FOR FLAT AND SLOPED CEILINGS**

SIN MODEL	STYLE	TEMPERATURE		MAX. AREA OF COVERAGE ³ LENGTH x WIDTH Feet (Meters)	*MIN. PRESSURE P.S.I. (bars)	*MIN. FLOW G.P.M. (L/min.)	MIN. DISTANCE BETWEEN SPRINKLERS Feet (Meters)
		155°F (68°C)	175°F (79°C)				
GL4110	PENDENT RECESSED PENDENT	X	X	12 (3.7) x 12 (3.7)	7.2 (.50)	11 (42)	8 (2.4)
		X	---	14 (4.3) x 14 (4.3)	8.6 (.59)	12 (45)	
		X	X	16 (4.9) x 16 (4.9)	11.7 (.81)	14 (53)	
GL4910	PENDENT RECESSED PENDENT	X	X	12 (3.7) x 12 (3.7)	7.0 (.48)	13 (49)	8 (2.4)
		X	X	14 (4.3) x 14 (4.3)	8.2 (.57)	14 (53)	
		X	X	16 (4.9) x 16 (4.9)	8.2 (.57)	14 (53)	
		X	X	18 (5.5) x 18 (5.5)	12.0 (.83)	17 (64)	
		X	X	20 (6.1) x 20 (6.1)	16.7 (1.15)	20 (76)	

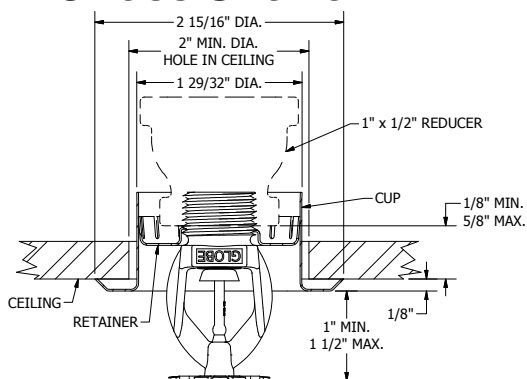
NOTE: METRIC CONVERSIONS ARE APPROXIMATE.

*WHEN THESE SPRINKLERS ARE USED IN NFPA 13 SYSTEMS, A 0.1 DESIGN DENSITY MINIMUM SHALL BE UTILIZED.

**REFER TO PAGE 2 OF GLOBE'S RESIDENTIAL SPRINKLER INSTALLATION GUIDE (BULLETIN R.S.I.G.) FOR NFPA 13D AND 13R REQUIREMENTS.

³FOR COVERAGE AREA DIMENSIONS LESS THAN OR BETWEEN THOSE INDICATED, USE THE MINIMUM REQUIRED FLOW FOR THE NEXT HIGHEST COVERAGE AREA FOR WHICH HYDRAULIC DESIGN CRITERIA ARE STATED.

CROSS SECTION



1/2" ADJUSTMENT RECESSED PENDENT

ORDERING INFORMATION

SPECIFY

- Quantity • Model Number • Style
- Orifice • Temperature • Finishes desired
- Quantity - Wrenches - P/N 325390
- Quantity - Recessed Wrenches - P/N 325391
- Quantity - Protective Caps - P/N 327109-CAP
- (Friction Fit Recessed)

GLOBE® PRODUCT WARRANTY

Globe agrees to repair or replace any of its own manufactured products found to be defective in material or workmanship for a period of one year from date of shipment.

For specific details of our warranty please refer to Price List Terms and Conditions of Sale (Our Price List).

