



# **RESIDENTIAL AUTOMATIC SPRINKLERS MODEL GL3010 PENDENT RECESSED PENDENT**

## **DESCRIPTION AND OPERATION**

The Globe Model GL3010 Residential Sprinkler has a low profile yet durable design, which utilizes a 3mm frangible glass ampule as the thermosensitive element. It features economy, aesthetics and low flow.

The combination of the 3mm frangible glass ampule and specially designed deflector makes the Model GL3010 Residential Sprinkler the ultimate in life safety and fire control. This Globe Pendent and Recessed Pendent Residential Sprinkler has met the strict requirements of Underwriters Laboratories Inc. as described in the UL Standard for Residential Sprinklers for Fire Protection Service, UL 1626, and should be used accordingly. This sprinkler should also be installed in accordance with the appropriate NFPA Standard 13, 13D or 13R and under the direction of the approving authorities having jurisdiction.

The heart of Globe's Model GL3010 sprinkler proven actuating assembly is a hermetically sealed frangible glass ampule that contains a precisely measured amount of fluid. When heat is absorbed, the liquid within the bulb expands increasing the internal pressure. At the prescribed temperature, the internal pressure within the ampule exceeds the strength of the glass causing the glass to shatter. This results in water discharge which is distributed in an approved pattern.

The sprinkler and escutcheon are not factory assembled. Assembly is done in the field.

## **TECHNICAL DATA**

- See reverse side for Approvals and Specifications.
- Temperature Rating - 155°F (68°C), 175°F (79°C), 200°F (93°C)
- Water Working Pressure Rating - 175 psi (12 Bars)
- Factory tested hydrostatically to 500 psi (34 Bars)
- Maximum low temperature glass bulb rating is -67°F (-55°C)
- Frame - bronze • Deflector - brass • Screw - brass
- Lodgement Wire - stainless steel • Bulb seat - copper
- Spring - nickel alloy • Seal - teflon
- Bulb - glass with alcohol based solution, 3mm size
- Escutcheon Assembly - steel



**RESIDENTIAL  
PENDENT**



**RESIDENTIAL  
RECESSED PENDENT**

## **SPRINKLER TEMPERATURE RATING/CLASSIFICATION and COLOR CODING**

CLASSIFICATION	AVAILABLE SPRINKLER TEMPERATURES		BULB COLOUR	AS2118 MAXIMUM CEILING TEMPERATURE	
ORDINARY	155°F	68°C	RED	100°F	38°C
INTERMEDIATE	175°F/ 200°F	79°C/ 93°C	YELLOW/GREEN	150°F	66°C

# RESIDENTIAL AUTOMATIC SPRINKLERS MODEL GL3010 PENDENT • RECESSED PENDENT

## SPECIFICATIONS AND APPROVALS

SIN MODEL	NOMINAL "K" FACTOR	THREAD SIZE	LENGTH	FINISHES	155°F (68°C)	175°F (79°C)	200°F (93°C)	cULus
GL3010	3.0	1/2" NPT	2 1/2" (6.4 cm)	Factory Bronze Chrome White Polyester <sup>2</sup> Black Polyester <sup>1,2</sup>	X	X	X	X

**NOTE:**

<sup>1</sup>FINISHES AVAILABLE ON SPECIAL ORDER.

<sup>2</sup>AVAILABLE AS cULus LISTED CORROSION RESISTANT WHEN SPECIFIED ON ORDER.

## INSTALLATION DATA FOR FLAT AND SLOPED CEILINGS\*\*

SIN MODEL	STYLE	TEMPERATURE 155°F (68°C)	TEMPERATURE 175°F/200°F (68°C/93°C)	MAX. AREA OF COVERAGE <sup>3</sup> Length x Width Feet (Metres)	*MIN. PRESSURE P.S.I. (kPa)	*MIN. FLOW G.P.M. (L/min.)	MIN. DISTANCE BETWEEN SPRINKLERS Feet (Metres)
GL3010	PENDENT	X	X	12 (3.7) x 12 (3.7)	7.1 (49)	8 (30)	8 (2.4)
	RECESSED PENDENT			14 (4.3) x 14 (4.3)	11.1 (77)	10 (38)	

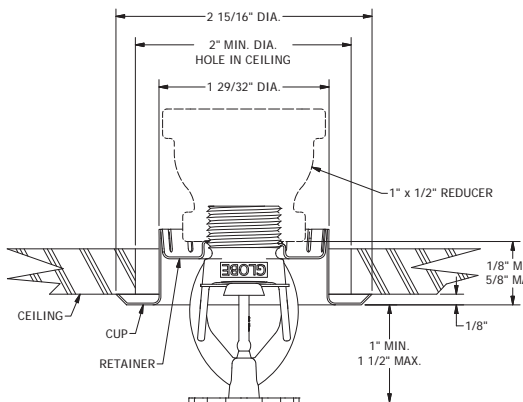
**NOTE:** METRIC CONVERSIONS ARE APPROXIMATE.

\*WHEN THESE SPRINKLERS ARE USED IN NFPA 13 SYSTEMS, A 0.1 DESIGN DENSITY MINIMUM SHALL BE UTILIZED.

\*\*REFER TO PAGE 2 OF GLOBE'S RESIDENTIAL SPRINKLER INSTALLATION GUIDE (BULLETIN R.S.I.G.) FOR NFPA 13D AND 13R REQUIREMENTS.

<sup>3</sup>FOR COVERAGE AREA DIMENSIONS LESS THAN OR BETWEEN THOSE INDICATED, USE THE MINIMUM REQUIRED FLOW FOR THE NEXT HIGHEST COVERAGE AREA FOR WHICH HYDRAULIC DESIGN CRITERIA ARE STATED.

## CROSS SECTION



1/2" ADJUSTMENT RECESSED PENDENT

### RECESSED ESCUTCHEON PART NUMBER

ADJUSTMENT	FRICTION FIT		THREADED	
	WHITE	CHROME	WHITE	CHROME
1 1/2" (13 mm)	332073-W	332071	329303-W	329301

## ORDERING INFORMATION

**SPECIFY**

- Quantity • Model Number • Style • Orifice
- Thread Size • Temperature • Finishes desired
- Quantity - Wrenches - P/N 325390
- Quantity - Recessed Wrenches - P/N 325391
- Quantity - Protective Caps - P/N 327109-Cap

## GLOBE® PRODUCT WARRANTY

Globe agrees to repair or replace any of its own manufactured products found to be defective in material or workmanship for a period of one year from date of shipment.

For specific details of our warranty please refer to Price List Terms and Conditions of Sale (Our Price List).