



**QUICK RESPONSE
EXTENDED COVERAGE
LIGHT HAZARD
AUTOMATIC SPRINKLERS
MODEL GL8109
PENDENT • RECESSED PENDENT**

DESCRIPTION AND OPERATION

The Globe Quick Response Model GL8109 Extended Coverage Pendent Sprinkler for Light Hazard occupancies is a low profile yet durable design which utilizes a 3mm frangible glass ampule as the thermosensitive element. This provides sprinkler operation approximately six times faster than ordinary sprinklers. While this Quick Response Sprinkler provides an aesthetically pleasing appearance, it can be installed wherever standard light hazard extended coverage pendent sprinklers are specified; but offers the additional feature of greatly increased safety to life. Quick Response Sprinklers should be used advisedly and under the direction of approving authorities having jurisdiction, in accordance with their listings and in accordance with NFPA 13.

The heart of Globe's GL Series sprinkler proven actuating assembly is a hermetically sealed frangible glass ampule that contains a precisely measured amount of fluid. When heat is absorbed, the liquid within the bulb expands increasing the internal pressure. At the prescribed temperature the internal pressure within the ampule exceeds the strength of the glass causing the glass to shatter. This results in water discharge which is distributed in an approved pattern.



**QUICK RESPONSE
EXTENDED COVERAGE
PENDENT**



**QUICK RESPONSE
EXTENDED COVERAGE
RECESSED PENDENT**

TECHNICAL DATA

- See reverse side for Approvals and Specifications.
- Temperature Ratings - 135°F (57°C), 155°F (68°C), 175°F (79°C), 200°F (93°C)
- Water Working Pressure Rating - 175 psi (12 Bars)
- Factory tested hydrostatically to 500 psi (34 Bars)
- Maximum low temperature glass bulb rating is -67°F (-55°C)
- Frame - bronze • Deflector - brass • Screw - brass
- Bulb seat - copper • Spring - nickel alloy • Seal - teflon
- Bulb - glass with alcohol based solution, 3mm size
- Escutcheon Assembly - steel

• SPRINKLER TEMPERATURE RATING/CLASSIFICATION and COLOR CODING

CLASSIFICATION	AVAILABLE SPRINKLER TEMPERATURES		BULB COLOR	N.F.P.A. MAXIMUM CEILING TEMPERATURE	
ORDINARY	135°F/155°F	57°C/68°C	ORANGE/RED	100°F	38°C
INTERMEDIATE	175°F/200°F	79°C/93°C	YELLOW/GREEN	150°F	66°C

QUICK RESPONSE EXTENDED COVERAGE LIGHT HAZARD AUTOMATIC SPRINKLERS MODEL GL8109 PENDENT • RECESSED PENDENT

SPECIFICATIONS AND APPROVALS

SIN MODEL	NOMINAL "K" FACTOR	THREAD SIZE	LENGTH	FINISHES	cULus
GL8109	8.0 (115 metric)	3/4"NPT (20mm)	3" (7.6cm)	Factory Bronze Chrome White Polyester ² Black Polyester ^{1,2}	X

NOTE: METRIC CONVERSIONS ARE APPROXIMATE.

¹FINISHES AVAILABLE ON SPECIAL ORDER.

²AVAILABLE AS cULus LISTED AS CORROSION RESISTANT WHEN SPECIFIED ON ORDER.

cULus LISTING DESIGN - USE REQUIREMENTS FOR LIGHT HAZARDS ONLY

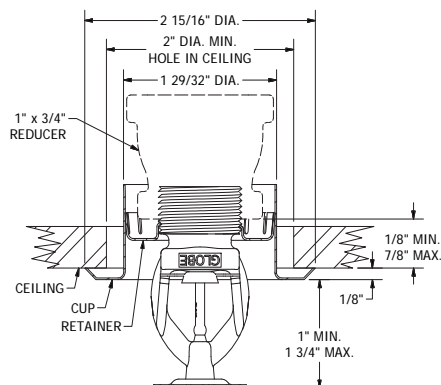
SIN MODEL	STYLE	TEMPERATURE				MAX. AREA OF COVERAGE LENGTH x WIDTH Feet (Meters)	MIN. PRESSURE P.S.I. (bars)	MIN. FLOW G.P.M. (L/min.)	MIN. DISTANCE BETWEEN SPRINKLERS Feet (Meters)
		135°F (57°C)	155°F (68°C)	175°F (79°C)	200°F (93°C)				
GL8109	PENDENT RECESSED PENDENT	X	X	X	X	16 (4.9) x 16 (4.9)	10.3 (0.71)	26 (98)	8 (2.4)
						18 (5.5) x 18 (5.5)	16.6 (1.14)	33 (125)	
		X	---	---	---	20 (6.1) x 20 (6.1)	24.4 (1.68)	40 (151)	

NOTE: METRIC CONVERSIONS ARE APPROXIMATE.

SPRINKLERS SHALL BE LIMITED AS PER THE REQUIREMENTS OF NFPA13 AND ANY OTHER RELATED DOCUMENTS.

FOR COVERAGE AREA DIMENSIONS LESS THAN OR BETWEEN THOSE INDICATED, USE THE MINIMUM FLOW FOR THE NEXT HIGHEST COVERAGE AREA FOR WHICH DESIGN CRITERIA ARE STATED.

CROSS SECTION



3/4" ADJUSTMENT RECESSED PENDENT

ORDERING INFORMATION SPECIFY

- Quantity • Model Number • Style • Orifice
- Thread Size • Temperature • Finishes desired
- Quantity - Wrenches - P/N 325390
- Quantity - 3/4" Adjustable Recessed Escutcheons
- Quantity - Recessed Wrenches - P/N 325391
- Quantity - Protective Caps - P/N 327109-CAP (Friction Fit Recessed)

GLOBE® PRODUCT WARRANTY

Globe agrees to repair or replace any of its own manufactured products found to be defective in material or workmanship for a period of one year from date of shipment.

For specific details of our warranty please refer to Price List Terms and Conditions of Sale (Our Price List).



NOV 2016

PRINTED U.S.A.

4077 AIRPARK DRIVE, STANDISH, MICHIGAN 48658
989-846-4583 FAX 989-846-9231
1-800-248-0278 www.globesprinkler.com

GFS-205 (Formerly A-41)