



**“THE INCH”  
STANDARD RESPONSE  
AUTOMATIC SPRINKLER  
MODEL GL5653  
ONE INCH ADJUSTABLE  
FLAT PLATE CONCEALED PENDENT**

**DESCRIPTION AND OPERATION**

The Globe GL5653 Adjustable Concealed Pendent Sprinkler has a low profile, aesthetically pleasing design. This sprinkler offers the additional feature of greatly increased safety to life and should be used advisedly and under the direction of approving authorities having jurisdiction. The sprinkler is available with a nominal 1" of adjustment and a low profile cover plate assembly. All that is seen at the ceiling is a 3 5/16" diameter ceiling plate or an optional 2 3/4" diameter ceiling plate color finished to match the specifier's exact requirements. The GL Series Concealed Sprinkler may be virtually invisible as it does not interrupt the "smooth flow" of the ceiling. Globe's GL5653 Concealed Sprinkler utilizes a 5mm frangible glass ampule which is located above the ceiling and concealed from view by the ceiling plate.

The provided protective cap needs to be removed in order to install the sprinkler with the proper wrench. The protective cap must be replaced on the sprinkler until the time the cover plate is to be installed. The "push on - screw off" designed cover plate is easily installed and with a nominal 1" inch of adjustment makes it easier to get a proper fit at the ceiling.

Operation of the sprinkler occurs when heat build up causes the solder holding the cover plate to the support shell to melt allowing the cover plate to fall clear. Continued heat build up causes the 5mm glass bulb to burst allowing the deflector to drop down and distribute water in an approved pattern to extinguish or control the fire.

**TECHNICAL DATA**

- See reverse side for Approvals and Specifications.
- Temperature Ratings -
  - 135°F (57°C) Sprinkler, 135°F (57°C) Cover Plate
  - 155°F (68°C) Sprinkler, 135°F (57°C) Cover Plate
  - 155°F (68°C) Sprinkler, 155°F (68°C) Cover Plate
  - 175°F (79°C) Sprinkler, 155°F (68°C) Cover Plate
  - 200°F (93°C) Sprinkler, 155°F (68°C) Cover Plate
- Water Working Pressure Rating - 175 psi (12 Bars)
- Factory tested hydrostatically to 500 psi (34 Bars)
- Maximum low temperature glass bulb rating is -67°F (-55°C)
- Frame - bronze • Deflector - brass • Screw - brass
- Lodgement Wire - stainless steel • Bulb seat - copper
- Spring - nickel alloy • Seal - teflon • Drop Pin - stainless steel
- Bulb - glass with glycerin based solution, 5mm size
- Cover Plate - brass • Upper Escutcheon Assembly - steel



**3 5/16" diameter plate**



**2 3/4" diameter plate  
STANDARD RESPONSE  
WHITE FLAT PLATE  
CONCEALED PENDENT**

**NOTE: Globe's wrench P/N 332765 must be used to install this sprinkler.**

**• SPRINKLER TEMPERATURE RATING/CLASSIFICATION and COLOR CODING**

CLASSIFICATION	AVAILABLE SPRINKLER TEMPERATURES		BULB COLOR	N.F.P.A. MAXIMUM CEILING TEMPERATURE	
	135°F/155°F	57°C/68°C		100°F	38°C
ORDINARY	135°F/155°F	57°C/68°C	ORANGE/RED	100°F	38°C
INTERMEDIATE	175°F/200°F	79°C/93°C	YELLOW/GREEN	150°F	66°C

# "THE INCH" STANDARD RESPONSE AUTOMATIC SPRINKLER MODEL GL5653 ONE INCH ADJUSTABLE FLAT PLATE CONCEALED PENDENT SPECIFICATIONS

NOMINAL "K" FACTOR	THREAD SIZE	LENGTH	FLAT COVER PLATE FINISHES
5.6 (80 metric)	1/2"NPT (15mm)	2 1/2" (6.4cm)	Chrome White Painted Other Finishes <sup>1,2</sup>

NOTE: METRIC CONVERSIONS ARE APPROXIMATE.

<sup>1</sup>FINISHES AVAILABLE ON SPECIAL ORDER.

<sup>2</sup>FOR PLATES OTHER THAN WHITE, CONTACT GLOBE FOR ORDERING SPECIFICATIONS.

## APPROVALS

STYLE	SIN MODEL	HAZARD <sup>1</sup>	135°F (57°C) Flat Cover Plate		155°F (68°C) Flat Cover Plate			cULus	FM	NYC-DOB MEA 101-92-E
			**135°F (57°C) Sprinkler	155°F (68°C) Sprinkler	**155°F (68°C) Sprinkler	175°F (79°C) Sprinkler	200°F (93°C) Sprinkler			
Adjustable Concealed Pendent	GL5653	LH/OH	X	X	X	X	X	X	X	X

<sup>1</sup>SPRINKLERS SHALL BE LIMITED AS PER THE REQUIREMENTS OF NFPA13 AND ANY OTHER RELATED DOCUMENTS.

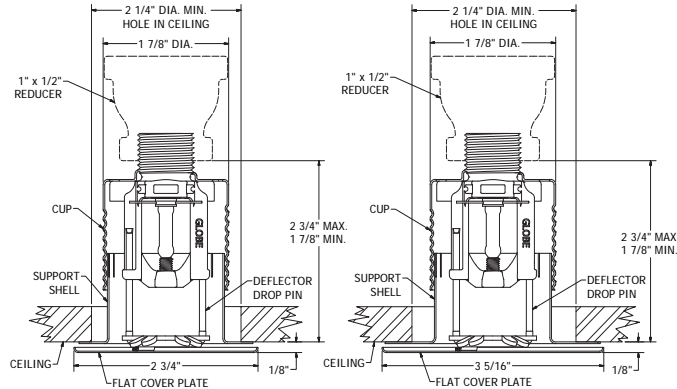
\*FM APPROVED AS STANDARD RESPONSE

\*\*NO FM APPROVALS

OH: ORDINARY HAZARD

LH: LIGHT HAZARD

## CROSS SECTIONS



### 1" ADJUSTMENT FLAT PLATE CONCEALED PENDENT

FLAT COVER PLATE SIZES	WHITE 135°F (57°C) PART #	WHITE 155°F (68°C) PART #	WHITE 135°F (57°C) PART #	WHITE 155°F (68°C) PART #
2 3/4" DIA.	332726	332731	332724	332729
3 5/16" DIA.	332706	332711	332704	332709

## ORDERING INFORMATION SPECIFY

- Quantity • Model Number • Style • Orifice
- Thread Size • Temperature • Finishes desired
- Quantity - Wrenches - P/N 332765
- Quantity - Protective Caps - P/N 332695

## GLOBE® PRODUCT WARRANTY

Globe agrees to repair or replace any of its own manufactured products found to be defective in material or workmanship for a period of one year from date of shipment.

For specific details of our warranty please refer to Price List Terms and Conditions of Sale (Our Price List).