

CHECK VALVE 6" MODEL CVB

Groove/Groove



Listed by: Underwriters Laboratories Inc.
Canadian U.L.
Approved by: Factory Mutual

PROTECTION INCENDIE LTÉE
VENUS
FIRE PROTECTION LTD

4105 Portland Blvd,
Sherbrooke, (Quebec) J1L 1X9
Tél:(819) 820-8000 Fax:(819) 820-8002
email : info@venus.ca

"ASTRA" 6" SWING CHECK VALVE MODEL CVB RATED - 175 P.S.I. WORKING PRESSURE

DESCRIPTION AND OPERATION

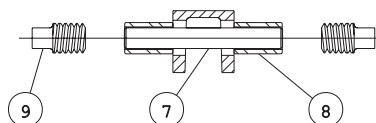
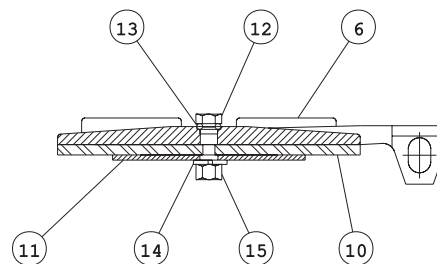
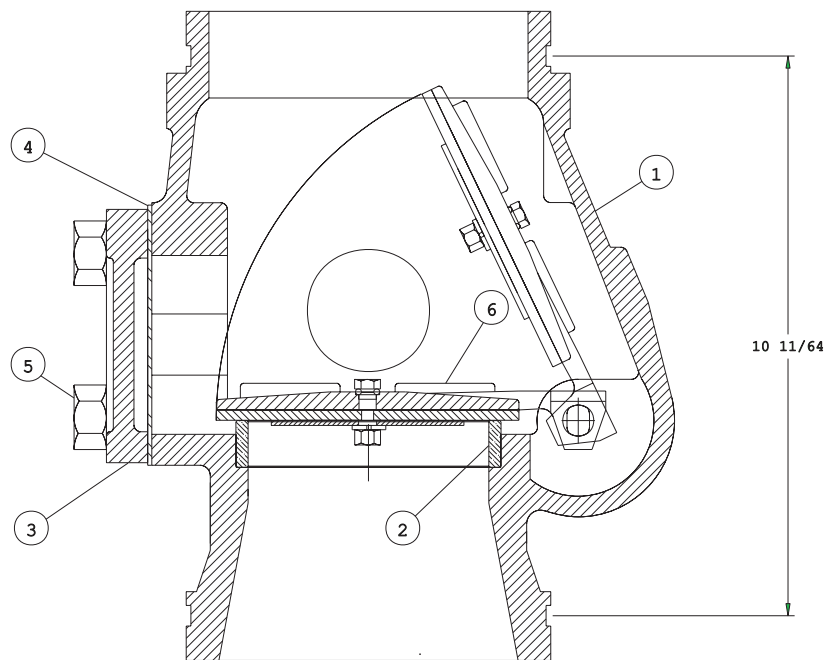
The "Astra" model CVB grooved ends Swing Check Valve has a lightweight high density cast iron body and solid bronze rubber faced swing clapper. The grooved ends make for a clean, fast and easy installation using only lubricant and a socket wrench. This type of connection provides for expansion and contraction allowance, joint deflection to compensate for misalignment, and an installed cost savings of 10% to 30%.

The "Astra" model CVB Check Valve are designed for installation in the water piping of fire protection systems, where the working pressure does not exceed 175 psi. The 6" check valves are gravity operated and can only be installed in a vertical position. It must be installed with standard steel pipe with cut grooves, or lightwall steel pipe with rolled grooves, using two standard rubber-gasketed grooved couplings. A 1/2" NPT connection is provided if necessary at the bottom of the check valve inlet for a 1/2" ball drip.

The "Astra" model CVB swing check valve has a removable cover plate allowing an easy access to the clapper if necessary. This feature allows very easy servicing without the troublesome need to remove complete valve assembly from the piping system.

Parts list

ITEM	DWG No	DESCRIPTION
1	CVB 6007	Body
2	CVB 6013	Water seat
3	CVB 6023	Cover
4	CVB 6021	Cover gasket
5	CVB 6010	Cover bolt
6	CVB 6012	Clapper
7	CVB 6015	Clapper pin
8	CVB 6014	Bushing
9	CVB 6016	Plug
10	CVB 6020	Clapper gasket
11	CVB 6018	Seal retainer
12	CVB 6017	Bolt
13	CVB 6019	O' Ring
14	CVB 6017	Lockwasher
15	CVB 6017	Nut



6" Check Valve Model CVB	
Face to face	11 1/4"
Weight	50 lbs

PROTECTION INCENDIE LTÉE

VENUS
FIRE PROTECTION LTD

MADE IN CANADA