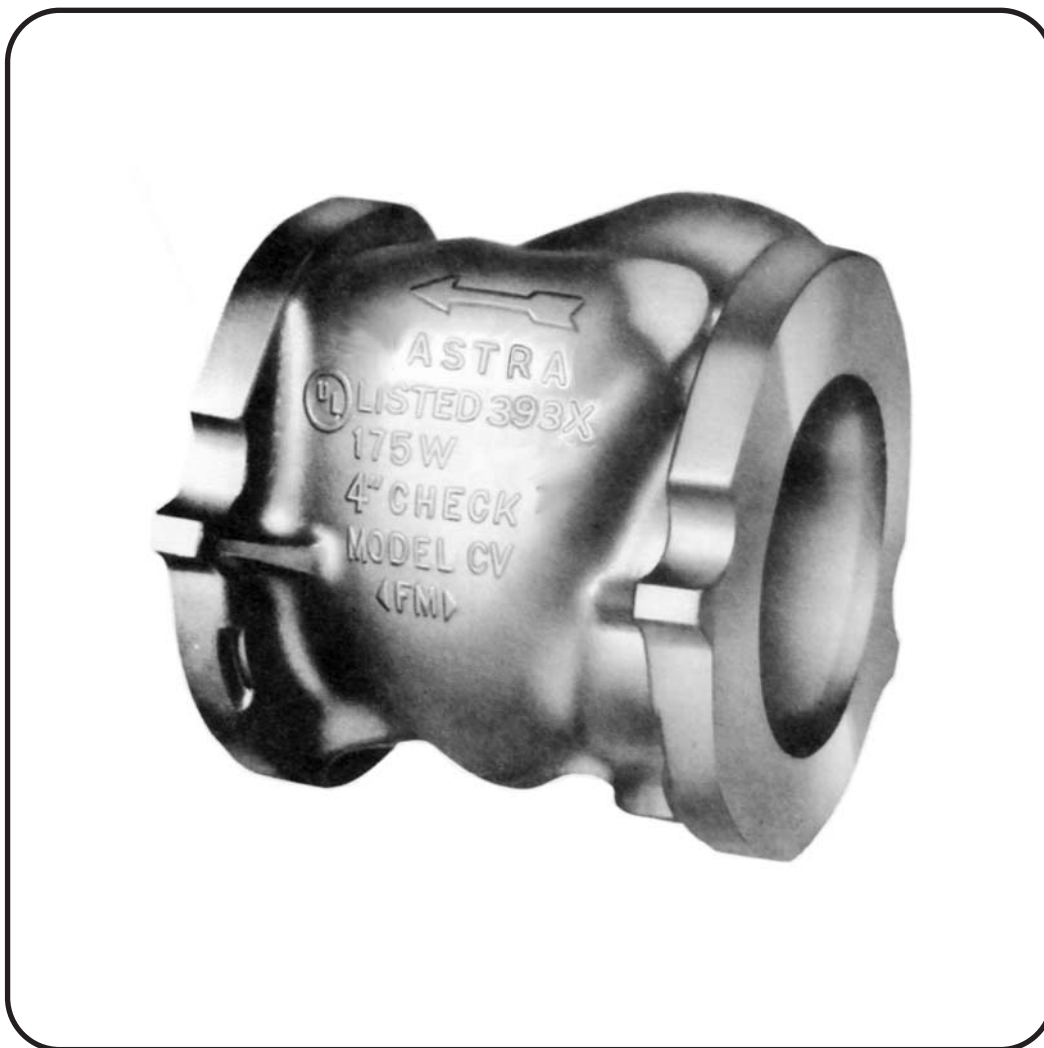


# CHECK VALVE 4" MODEL CV



Listed by: Underwriters Laboratories Inc.  
Underwriter's Laboratories of Canada  
Approved by: Factory Mutual

PROTECTION INCENDIE LTÉE

**VENUS**

FIRE PROTECTION LTD

4105 Portland Blvd,  
Sherbrooke, (Quebec) J1L 1X9  
Tél:(819) 820-8000 Fax:(819) 820-8002  
email : info@venus.ca

# "ASTRA" 4" CHECK VALVE MODEL CV RATED - 175 P.S.I. WORKING PRESSURE

## DESCRIPTION AND OPERATION

The "Astra" 4" Check Valve incorporates solid bronze, rubber faced swing clappers with the labor saving wafer design. With lightweight, high density cast iron bodies, these valves will not crack or break when dropped. Listed by Underwriters' Laboratories and approved by factory Mutual.

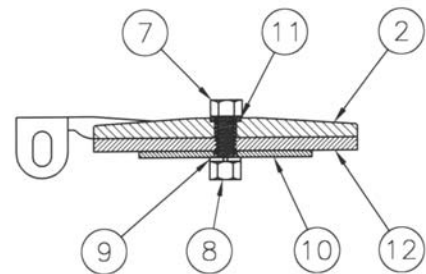
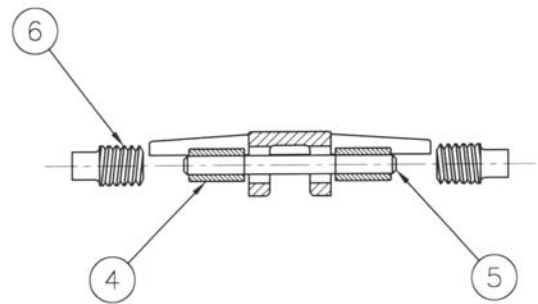
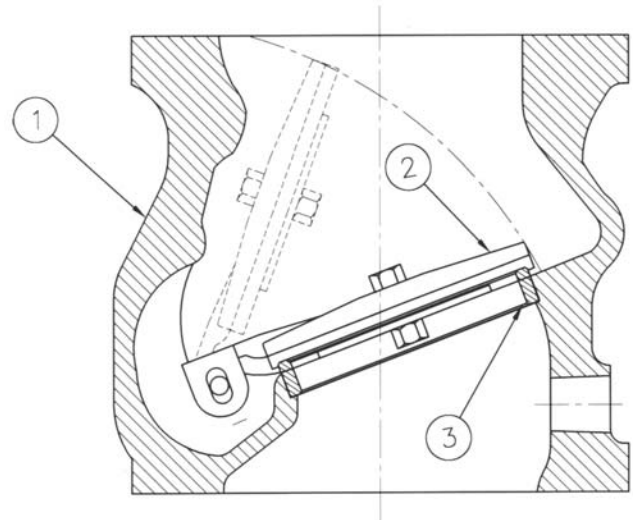
The "Astra" 4" Check Valve is intended for installation in the water piping of fire protection equipment where the working pressures do not exceed 175 PSI. They are gravity operating and may be installed in either horizontal or vertical positions.

The Wafer Check Valve is installed with 2 rubber flange gaskets between 2 standard pipe flanges, held together with 8 bolts.

Included in the optional "Astra" Wafer Check trim package are a 1/2" ball drip and street elbow for installation in fire department connection piping. This should be installed in the tap at the bottom of the check valve inlet.

### Parts list

ITEM	Part No.	DWG No	DESCRIPTION
1	CV-10-1	CVB 4004	Body
2	CV-10-4	CV 4006	Clapper
3	CV-10-7	CV 4015	Water seat
4	CV-10-8	CV 4014	Bushing
5	CV-10-9	CV 4013	Clapper pin
6		CV 4012	Plug
7	CV-10-11	CV 4010	Bolt
8	CV-10-12	CV 4010	Nut
9	CV-10-13	CV 4010	Lockwasher
10	CV-10-14	CV 4007	Seal retainer
11	CV-10-15	CV 4009	O' Ring
12	CV-10-16	CV 4008	Clapper seal



4" Check Valve Model CV	
Face to face	6 3/16"
Weight	20 lbs.

Technical Data	
Friction loss	1.3 P.S.I. @ 600 G.P.M.