

CHECK VALVE 3" MODEL CVA

Groove/Groove



Listed by: Underwriters Laboratories Inc.
Underwriter's Laboratories of Canada
Approved by: Factory Mutual

PROTECTION INCENDIE LTÉE
VENUS
FIRE PROTECTION LTD

4105 Portland Blvd,
Sherbrooke, (Quebec) J1L 1X9
Tél:(819) 820-8000 Fax:(819) 820-8002
email : info@venus.ca

"ASTRA" 3" SWING CHECK VALVE MODEL CVA

RATED - 250 P.S.I. WORKING PRESSURE

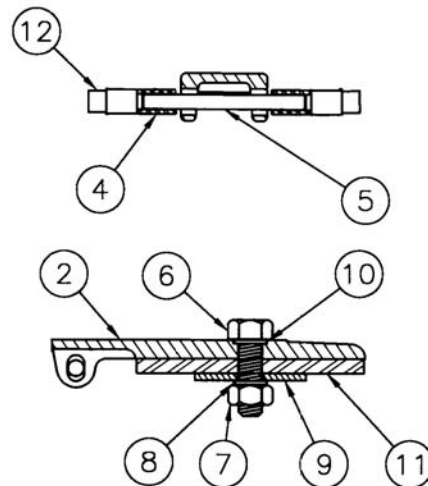
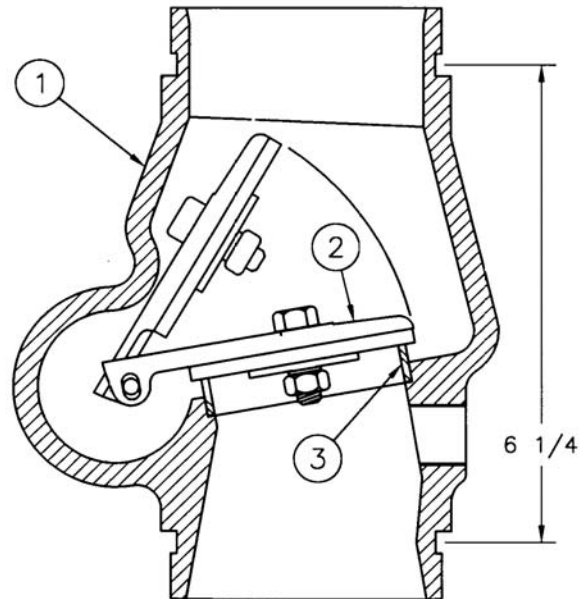
DESCRIPTION AND OPERATION

The Astra Model CVA Grooved Ends Swing Check Valve has a lightweight high density cast iron body and solid bronze rubber faced swing clapper. The grooved ends make for a clean, fast, and easy installation using only lubricant and a socket wrench. This type of connection provides for expansion and contraction allowance, joint deflection to compensate for misalignment, and an installed cost savings of 10% to 30%.

The Astra Model CVA Check Valves are designed for installation in the water piping of fire protection systems, where the working pressure does not exceed 250 psi. The check valves are gravity operated and can be installed in a vertical or horizontal position. The Model CVA Check Valve is installed with standard steel pipe with cut grooves, or lightwall steel pipe with rolled grooves, using two standard rubber-gasketed grooved couplings. A 1/2" NPT connection is provided at the bottom of the check valve inlet for a 1/2" ball drip available upon request.

Parts list

ITEM	DWG No	DESCRIPTION
1	CVA 300-02	Body
2	CVA 300-07	Clapper
3	CVA 300-04	Water seat
4	CVA 300-13	Bushing
5	CVA 300-11	Clapper pin
6	CVA 300-09	Bolt
7	CVA 300-09	Nut
8	CVA 300-09	Lockwasher
9	CVA 300-14	Seal retainer
10	CVA 300-08	O' Ring
11	CVA 300-10	Clapper gasket
12	CVA 300-12	Plug



3" Check Valve Model CVA	
Face to face	7 1/2"
Weight	10 lbs

Technical Data Friction loss
1.03 P.S.I. @ 250 G.P.M.
1.38 P.S.I. @ 300 G.P.M.
2.71 P.S.I. @ 400 G.P.M.
3.39 P.S.I. @ 450 G.P.M.

PROTECTION INCENDIE LTÉE

VENUS

FIRE PROTECTION LTD

MADE IN CANADA