

300 PSI Butterfly Valve | Wafer

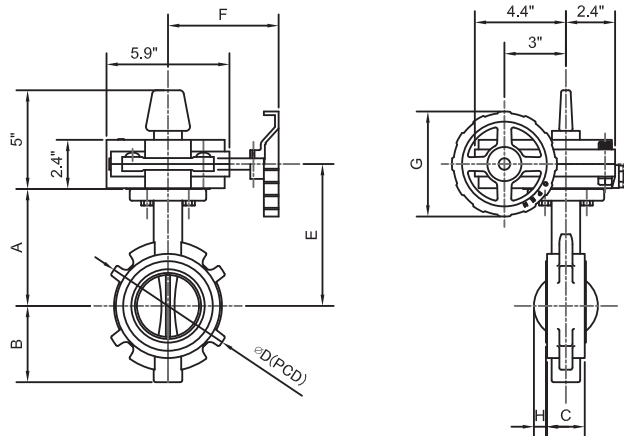
Technical Features

- **Connections:** Wafer ends, ANSI Class 125
- **Sizes:** 2-1/2", 3", 4", 6", 8"
- **Approvals:** UL, ULC, FM, and California State Fire Marshal
- **Maximum Working Pressure:** 300 PSI (Max. Test Pressure: 600 PSI)
- **Maximum Working Temperature:** 250°F (120°C)
- **Application:** Indoor and Outdoor Use
- **Double-Seal Disc;** Resilient EPDM Coating
- **Factory Installed Supervisory Tamper Switch Assembly**



Fireriser® Model: HPW

Component	Material	Specification
Body	Ductile Iron	ASTM A536 Nylon-11 Coated
Disc	Ductile Iron	ASTM A536 EPDM Encapsulated
Indicator	Ductile Iron	ASTM A536
Housing	Ductile Iron	ASTM A536
Handwheel	Ductile Iron	ASTM A536
Stem	Stainless Steel	AISI 420
Worm Shaft	Stainless Steel	AISI 410
Shear Pin	Steel	ASTM A510
Gear Segment	Brass	ASTM B584
Housing Gasket	EPDM	EPDM Grade E
O-Ring (All)	EPDM	EPDM Grade E



Dimensions: Inches (Millimeters)

Size in/mm	A	B	C	D	E	F	G	H
2-1/2"	5.4 (136)	3.4 (87)	1.8 (46)	5.9 (149.4)	6.5 (166)	5.3 (135)	5.0 (128)	0.3 (8.2)
3"	5.6 (143)	3.7 (93)	1.8 (46)	6.6 (168.2)	6.8 (173)	5.3 (135)	5.0 (128)	0.6 (14.5)
4"	6.1 (156)	4.3 (109)	2.0 (52)	7.9 (200.2)	7.3 (186)	5.3 (135)	5.0 (128)	0.9 (22.7)
6"	7.4 (188)	5.7 (144)	2.2 (56)	10.6 (269.8)	8.6 (218)	7.6 (193)	8.7 (220)	1.8 (45.4)
8"	8.7 (222)	6.5 (166)	2.3 (58)	13.0 (330.2)	9.9 (252)	7.6 (193)	8.7 (220)	2.7 (69.1)

H: Disc clearance of body surface through end of disc in open position.