

Model: BG

Bronze Butterfly Valve | Grooved

Technical Features

- **Connections:** Grooved Ends (AWWA C606)
- **Sizes:** 2", 2-1/2"
- **Approvals:** UL, ULC, FM, and California State Fire Marshal
- **Maximum Working Pressure:** 175 PSI (Max. Test Pressure: 350 PSI)
- **Maximum Working Temperature:** 250°F (120°C)
- **Application:** Indoor and Outdoor Use
- Factory Installed Supervisory Tamper Switch Assembly

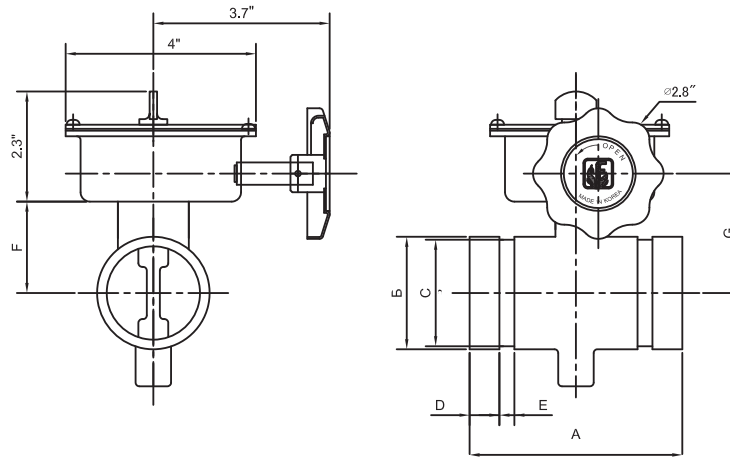


Component	Material	Specification
Body	Bronze	ASTM B505
Disc	Aluminum Bronze	ASTM B548
Disc Encapsulation	EPDM Rubber	ASTM D2000
Indicator	Brass	ASTM B16
Housing	Steel	ASTM A619
Handwheel	Steel	ASTM A619
Stem	Stainless Steel	ASTM A564 Type XM12

Stainless Steel 304 body available upon request



FireFly® Model: BG



Dimensions: Inches (Millimeters)

Size in/mm	A	B	C	D	E	F	G
2"	4.5 (114)	2.4 (60.3)	2.3 (57.15)	0.6 (16)	0.3 (8)	1.9 (49)	2.5 (64)
2-1/2"	4.5 (114)	3.0 (75)	2.7 (69.1)	0.6 (16)	0.3 (8)	2.3 (59)	2.9 (74)